



# Anti-odour trap REGIO



Easy cleaning



Easy mounting



Compact dimension



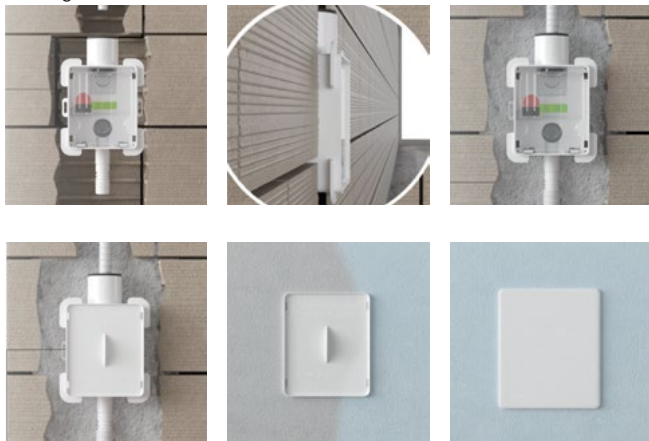
2 year guarantee

## Description

REGIO trap perfectly eliminates odor problems. It is mounted to the ventilation and air conditioning system in the wall, possibly vertically on a support rail. It has a transparent reservoir that allows inspection, to check the dirtiness of the trap. Easy maintenance access. If dirty, simply remove the transparent part of the siphon from the white housing and flush it with water.

## 1. Installation

Make a recess in the wall for the installation of the condensate trap and condensate drain pipes, and place the trap in it so that it rests on the outer bricks taking into account the thickness of the plaster. Connect the condensate drain pipes. Check the level. Then fill the cavity with mortar. Secure the trap with a protective cover for plaster application and painting. Finally, insert the finishing cover.



## 2. Maintenance

1. Remove the trim cover, detach the transparent siphon by pressing on both catches and removing it by turning it, as shown in the figure.



2. Rinse with water or appropriate detergents (not alcohol, vinegar, etc.).
3. Put the transparent siphon back in place, placing it in its place and hooking it by turning it as shown checking that the seals are correctly placed
4. Place the finishing cover.

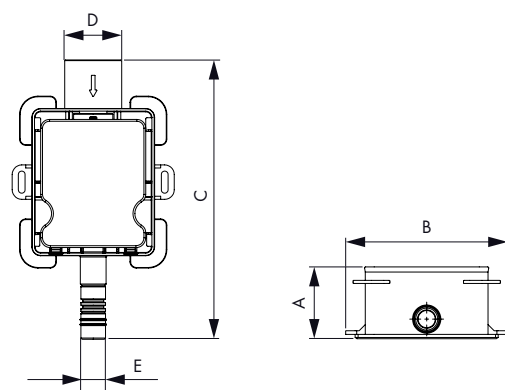
## Features

- Transparent condensate tank allows you to easily determine the degree of contamination
- Protected with a protective cover to keep out mortar, plaster or paint
- Fixing the case with screws
- Tight inlet thanks to the gasket
- Exterior housing for mounting flush with unfinished wall
- Removable trim cover for access to the siphon tank

## Technical specification

- Capacity: 60 l/h
- Inlet dimensions of the inlet pipe:  $\varnothing 16 - \varnothing 28$  mm
- Diameter of the outflow pipe  $\varnothing 21$  mm
- Built-in spirit level
- Inlet pipes  $\varnothing 40-36-32-28$  can be connected using the sleeve accessory „MTG“ (11126353)
- Maximum outlet water temperature:  $60^{\circ}\text{C}$ .

## Technical drawing



## Dimensions [mm]

A	B	C	D	E
55	120	230	46,5	21