

Air outlet

TRAPEZOIDAL TREND



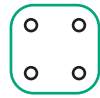
Hood protecting the facade



Protective mesh



Connection duct with a seal



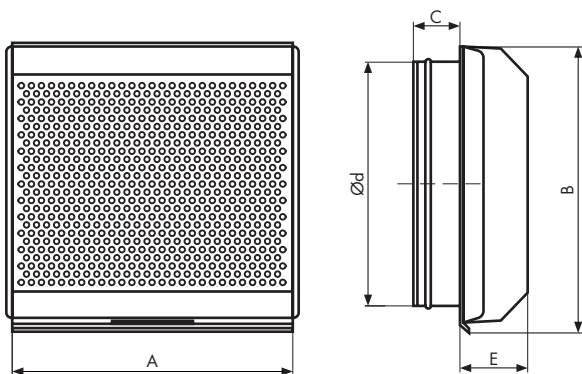
Mounting holes



Description

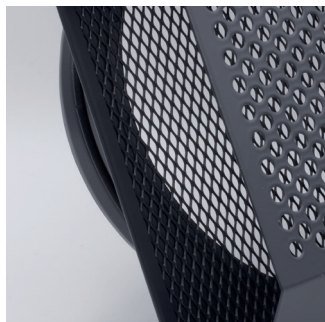
Trapezoidal TREND wall mounted air outlet HAVACO. The modern-looking air intake aesthetically complements the facade of new buildings. It provides protection against adverse weather conditions and is equipped with a hood to prevent dirt from affecting the facade. The connection duct is fitted with a gasket. Three design options are available: white (RAL 9003), graphite, and polished steel.

Technical drawing

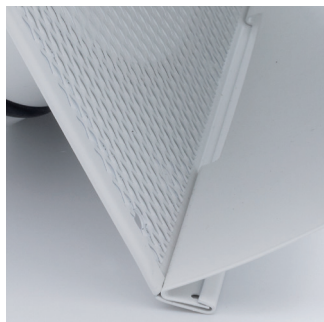


Dimensions [mm]

Model	A	B	C	Ød	E
Trapezoidal Trend 160	214,6	214	60	158,5	85,5
Trapezoidal Trend 200	254,6	254	60	197,9	85,5
Trapezoidal Trend 250	304,6	304	60	247,8	85,5
Trapezoidal Trend 315	369,6	369	60	312,8	85,5



Inlet and outlet protected by mesh



Hood protecting the facade from dirt



Connection duct with a seal



Pre-made mounting holes