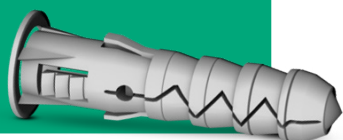
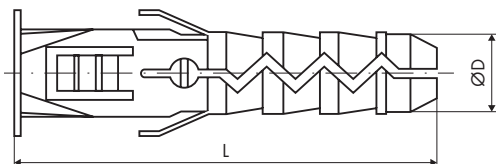


Dowel



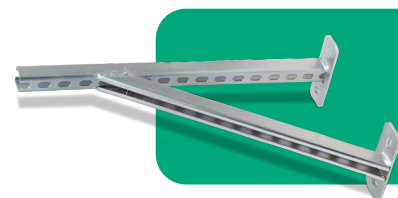
For non-structural multi-point fastening of statically loaded building elements in substrates made of: concrete, solid brick, ceramic blocks, in combination with screws.



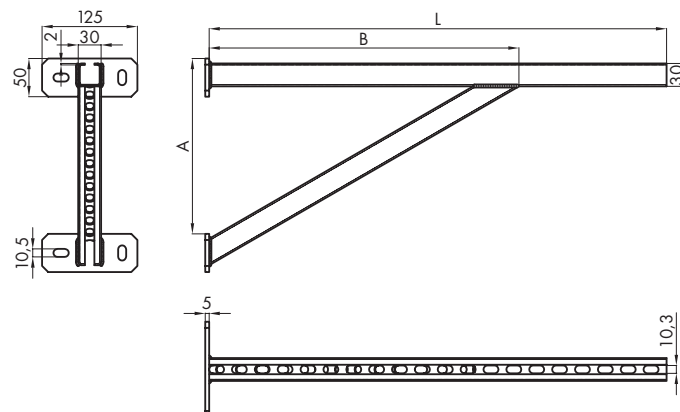
Dimensions [mm]

Model	ØD	L
12 x 60	12	60
14 x 70	14	70

Mounting console with bracket TKO



Mounting console with its support, for use in high-strength support structures, galvanised steel, welded construction.



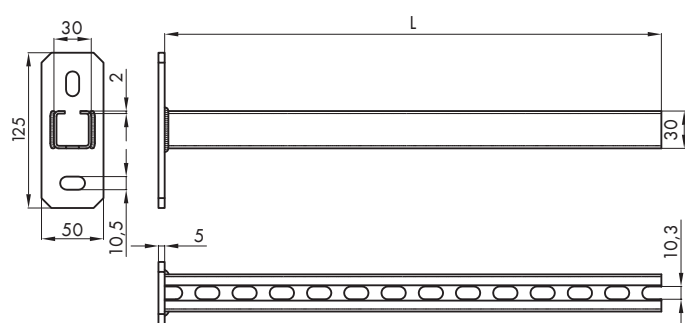
Dimensions [mm]

Model	L	A	B	Supporting profile [type]
TKO 500	500	230	400	FT30
TKO 600	600	230	400	FT30

Console T



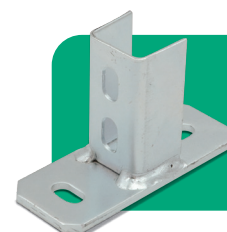
Mounting console for use in support structures, galvanised steel, welded construction.



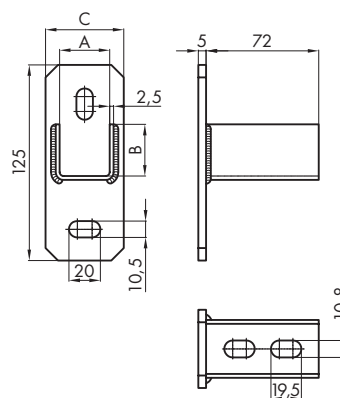
Dimensions [mm]

Model	L	Supporting profile [type]
T 300	300	FT30
T 500	500	FT30
T 750	750	FT30

Cantilever arm FT



The support of mounting profile base, used in the formatting of supporting structures, galvanised steel, welded construction.



Dimensions [mm]

Model	A	B	C	Supporting profile [type]
FT 30	32	31	50	FT30
FT 40	43	42	60	FT40