

## Radial fans CLC



Steel cover



Dynamically balanced



Adapted for voltage regulation



Powder-coated cover



IP 44 protection class

### Design

Direct drive radial fan. Steel cover, welded, powder coated. Rotor with forward curved blades, made of galvanised sheet, dynamically balanced.

### Usage

CLC fans are used in air pumping systems for production processes, ventilation and air conditioning systems, as well as in refrigeration equipment.

### Technical specifications

Model	Air flow [m <sup>3</sup> /h]	Impeller speed [rpm]	Power [W]	Current [A]	Voltage [V]	Frequency [Hz]	Capacitor [μF]	Sound pressure level [dB(A)]	Weight [kg]	Controller HRX	Controller HRB
CLC-200/1200 M	1200	2450	575	2,7	230	50	6,0	58	8,7	4,0	4,0

Sound pressure level measured at 3m.

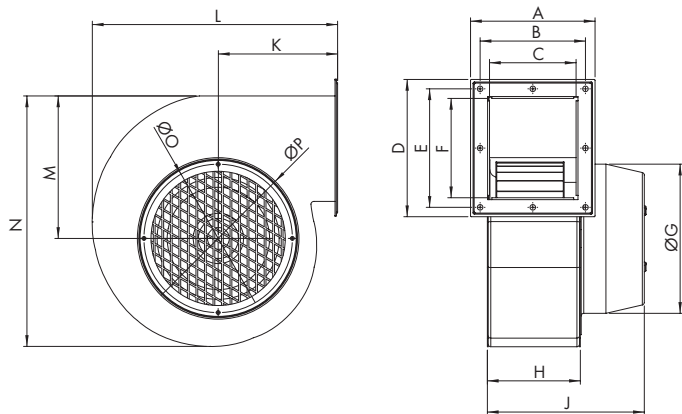
### Electric motor

Motor with rotating stator, powered by single phase current 230V, 50Hz. Suitable for voltage regulation. Protection class IP 44, insulation class B.

### Operating temperature

The fan is designed to transmit air with a temperature not exceeding 45°C.

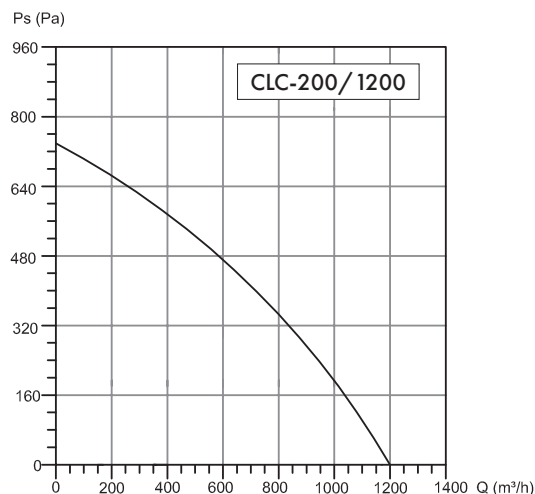
### Technical drawing



### Dimensions [mm]

Model	A	B	C	D	E	F	G	H	J	K	L	M	N	O	P
CLC-200/1200 M	150	125	105	163	139	120	174	109	185	142	290	170	298	143	186

### Characteristics



### Accessories



**HRX**  
Electronic speed controller  
page 174



**HRB**  
Transformer speed controller  
page 176



**WSH**  
Service switch  
page 177