



Segmented reducer with gasket RCXS



Rounded, reinforced
"SAFE" edges



Double gasket,
tightness class D



Automatic linear
welding

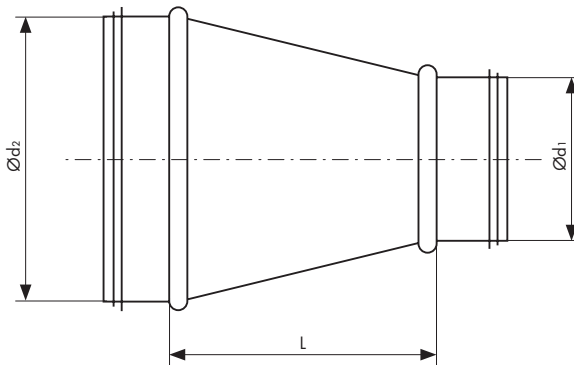


Top quality
galvanized steel
275 g/m²

Description

Segmented male reducer with gasket - "RCXS" **SAFE**, made from top quality galvanized steel (275 g/m²). Fully automated linear welding process. With every edge "SAFE" type - reinforced with curved rims, provide additional fitting rigidity and safe mounting. Double gasket EPDM clamped automatically ensures no risk of slipping during mounting.

Technical drawing



Dimensions [mm]

Ød ₂ nom/ Ød ₁ nom	pcs/box	box type
250 / 100	24	P4
250 / 125	28	P4
315 / 100	45	P2
315 / 125	32	P2
400 / 200	60	P1
400 / 355	60	P1
450 / 315	30	P1
450 / 355	30	P1
450 / 400	35	P1
500 / 400	20	P1
500 / 450	40	P1
560 / 450	on request	
560 / 500	on request	
630 / 450	on request	
630 / 500	on request	
630 / 560	on request	
710 / 450	on request	
710 / 500	on request	
710 / 560	on request	
710 / 630	on request	
800 / 500	on request	
800 / 560	on request	
800 / 630	on request	
800 / 710	on request	
900 / 500	on request	
900 / 560	on request	
900 / 630	on request	
900 / 710	on request	
900 / 800	on request	
1000 / 560	on request	
1000 / 630	on request	
1000 / 710	on request	
1000 / 800	on request	
1000 / 900	on request	



Packaging method on page 38