



Shut-off single blade damper with plate for actuator **DSLXMP**



Rounded, reinforced
"SAFE" edges



Double gasket,
tightness class D



Automatic linear
welding

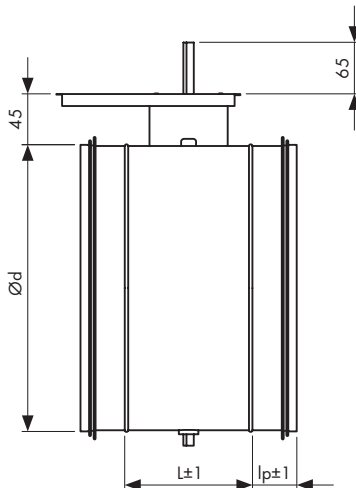
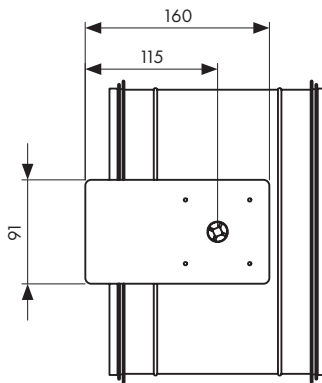


Top quality
galvanised steel
275 g/m²

Description

Single blade regulating damper with plate for actuator - "DSLXMP" **SAFE**, made from top quality galvanised steel (275 g/m²). Fully automated linear welding process. With every edge "SAFE" type - reinforced with curved rims, provide additional fitting rigidity and safe mounting. Perfect for installations, which require air-tightness, due to the gasket mounted on the regulatory compartment. Product with tightness class D.

Technical drawing



Dimensions [mm]

Ød nom	Tolerance d		L	lp	pcs/box	box type
	min	max				
100	98,8	99,3	105	35		on request
125	123,8	124,3	105	35		on request
160	158,7	159,3	105	35		on request
200	198,6	199,3	105	35		on request
250	248,5	249,3	115	35	40	P1
315	313,4	314,3	115	35	24	P1
355	353,3	354,3	115	35	24	P1
400	398,3	399,3	115	35		on request
450	448,2	449,3	95	70		on request
500	498,2	499,3	95	70		on request
560	558,1	559,3	95	70		on request
630	628,1	629,3	95	70		on request



Packaging method on page 38