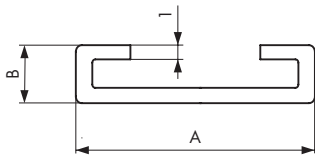


Slide-in profile PWQ

The "PWQ" slide-in profile is used to connect rectangular channels together. The specified length of the profile is applied to the connected frame profiles "PK20" or "PK30". Most often used when it is necessary to fully connect the channels along their entire frame length, and in hard-to-reach places where there is no space over the channel to put your hand in order to twist the "GCV" duct clamps.



Dimensions [mm]

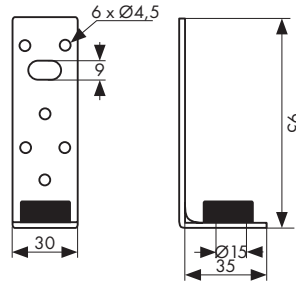
Model	A	B	Length
PWQ20	20	6	5000
PWQ30	30	6	5000

Mounting brackets Z, L, V

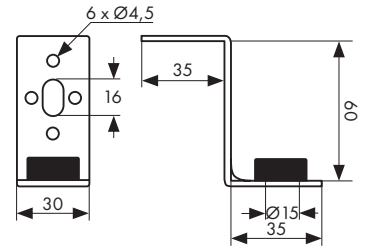


Mounting brackets for rectangular and circular ducts. Sheet thickness 2 mm.

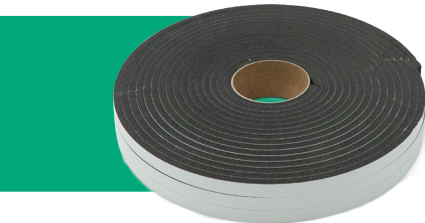
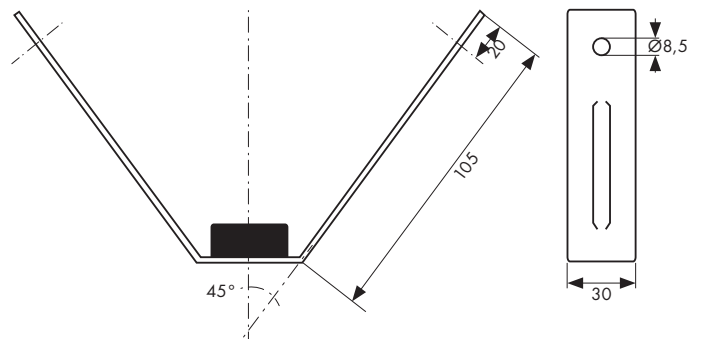
Type: L



Type: Z



Type: V



Gasket PES

The "PES" gasket is used to seal the connections of rectangular ventilation ducts, polyurethane foam, dark grey colour.

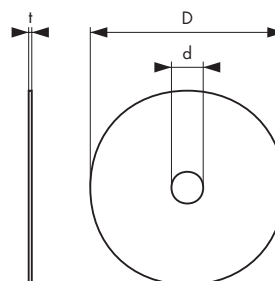
Dimensions [mm]

Model	Width	Thickness	Packaging [m]
PES 10.4	10	4	100
PES 14.4	15	4	60
PES 10.7	10	7	50
PES 15.7	15	7	30

Discs for steel cut TCS



The discs are designed for quick cutting of structural steel, sheet metal, pipes and flanges.



Dimensions [mm]

Model	D	d	t	Box
TCS 115	115	22,23	1,2	25 pcs.
TCS 125	125	22,23	1	25 pcs.