



## T-piece without gasket TCP, TSHF i TCPE



Automatic linear  
welding

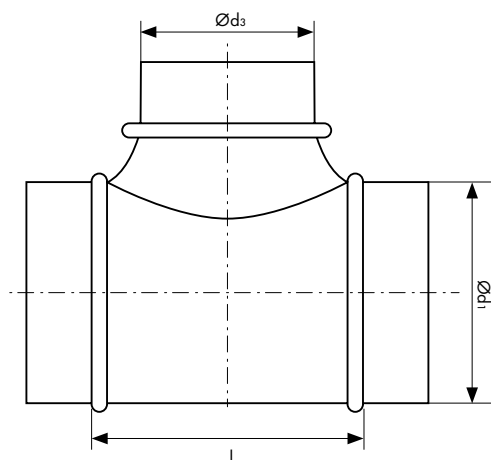


Top quality  
galvanised steel  
275 g/m<sup>2</sup>

### Description

T-piece without gasket - "TCP, TSHF i TCPE", made from top quality galvanised steel (275 g/m<sup>2</sup>). Fully automated linear welding process.

### Technical drawing



### Dimensions [mm]

Ød1 nom/ Ød3 nom	L	kg	pcs/box	box type
80 / 80	d <sub>3</sub> + 50	0,36	51	P6
100 / 80	d <sub>3</sub> + 50	0,23	110	P2
100 / 100	d <sub>3</sub> + 50	0,32	84	P2
125 / 80	d <sub>3</sub> + 50	0,34	72	P2
125 / 100	d <sub>3</sub> + 50	0,37	60	P2
125 / 125	d <sub>3</sub> + 50	0,75	52	P2
160 / 80	d <sub>3</sub> + 50	0,53	50	P2
160 / 100	d <sub>3</sub> + 50	0,46	30	P2
160 / 125	d <sub>3</sub> + 50	0,53	34	P2
160 / 160	d <sub>3</sub> + 50	0,63	28	P2
200 / 80	d <sub>3</sub> + 50	0,74	33	P2
200 / 100	d <sub>3</sub> + 50	0,88	27	P2
200 / 125	d <sub>3</sub> + 50	1,02	24	P2
200 / 160	d <sub>3</sub> + 50	1,09	34	P1
200 / 200	d <sub>3</sub> + 50	1,21	34	P1
250 / 100	d <sub>3</sub> + 50	1,30	30	P1
250 / 125	d <sub>3</sub> + 50	1,47	36	P1
250 / 160	d <sub>3</sub> + 50	1,58	24	P1
250 / 200	d <sub>3</sub> + 50	1,61	22	P1
250 / 250	d <sub>3</sub> + 50	2,40	19	P1
315 / 100	d <sub>3</sub> + 50	1,50	24	P1
315 / 125	d <sub>3</sub> + 50	1,85	16	P1
315 / 160	d <sub>3</sub> + 50	2,00	16	P1
315 / 200	d <sub>3</sub> + 50	2,03	14	P1
315 / 250	d <sub>3</sub> + 50	4,20	12	P1
315 / 315	d <sub>3</sub> + 50	3,66	9	P1
400 / 100	d <sub>3</sub> + 70	1,85		on request
400 / 125	d <sub>3</sub> + 70	2,23		on request
400 / 160	d <sub>3</sub> + 70	2,55		on request
400 / 200	d <sub>3</sub> + 70	2,80		on request
400 / 250	d <sub>3</sub> + 70	3,20		on request
400 / 315	d <sub>3</sub> + 70	4,18		on request
450 / 200	d <sub>3</sub> + 70	2,90		on request
450 / 250	d <sub>3</sub> + 70	3,60		on request
450 / 315	d <sub>3</sub> + 70	4,40		on request
500 / 100	d <sub>3</sub> + 70	2,70		on request
500 / 125	d <sub>3</sub> + 70	2,90		on request
500 / 160	d <sub>3</sub> + 70	3,70		on request
500 / 200	d <sub>3</sub> + 70	4,10		on request
500 / 250	d <sub>3</sub> + 70	4,60		on request
500 / 315	d <sub>3</sub> + 50	5,50		on request
560 / 250	d <sub>3</sub> + 70	5,20		on request



Packaging method on page 38

## Dimensions [mm]

Ød <sub>1</sub> nom/ Ød <sub>3</sub> nom	L	kg	pcs/box	box type
560 / 315	d <sub>3</sub> + 70	6,05		on request
560 / 355	d <sub>3</sub> + 70	6,50		on request
560 / 400	d <sub>3</sub> + 70	7,40		on request
560 / 450	d <sub>3</sub> + 70	8,60		on request
560 / 500	d <sub>3</sub> + 70	10,70		on request
560 / 560	d <sub>3</sub> + 70	12,00		on request
630 / 100	d <sub>3</sub> + 70	3,70		on request
630 / 125	d <sub>3</sub> + 70	4,00		on request
630 / 160	d <sub>3</sub> + 70	4,30		on request
630 / 200	d <sub>3</sub> + 70	5,10		on request
630 / 250	d <sub>3</sub> + 70	6,00		on request
630 / 315	d <sub>3</sub> + 70	7,00		on request
630 / 355	d <sub>3</sub> + 70	7,60		on request
630 / 400	d <sub>3</sub> + 70	8,50		on request
630 / 450	d <sub>3</sub> + 70	9,50		on request
630 / 500	d <sub>3</sub> + 50	11,00		on request
630 / 560	d <sub>3</sub> + 70	12,30		on request
630 / 600	d <sub>3</sub> + 70	14,00		on request
630 / 630	d <sub>3</sub> + 70	14,77		on request
710 / 315	d <sub>3</sub> + 100	7,29		on request
710 / 355	d <sub>3</sub> + 70	8,30		on request
710 / 400	d <sub>3</sub> + 70	9,50		on request
710 / 450	d <sub>3</sub> + 70	11,00		on request
710 / 500	d <sub>3</sub> + 70	11,60		on request
710 / 560	d <sub>3</sub> + 70	13,00		on request

Ød <sub>1</sub> nom/ Ød <sub>3</sub> nom	L	kg	pcs/box	box type
710 / 630	d <sub>3</sub> + 70	15,00		on request
710 / 710	d <sub>3</sub> + 70	17,50		on request
800 / 400	d <sub>3</sub> + 50	11,00		on request
800 / 450	d <sub>3</sub> + 70	12,10		on request
800 / 500	d <sub>3</sub> + 70	13,30		on request
800 / 560	d <sub>3</sub> + 70	14,80		on request
800 / 630	d <sub>3</sub> + 70	16,60		on request
800 / 710	d <sub>3</sub> + 70	19,60		on request
800 / 800	d <sub>3</sub> + 70	28,60		on request
900 / 450	d <sub>3</sub> + 70	17,50		on request
900 / 500	d <sub>3</sub> + 70	19,00		on request
900 / 560	d <sub>3</sub> + 70	21,00		on request
900 / 630	d <sub>3</sub> + 70	23,00		on request
900 / 710	d <sub>3</sub> + 70	27,00		on request
900 / 800	d <sub>3</sub> + 50	32,00		on request
900 / 900	d <sub>3</sub> + 70	35,50		on request
1000 / 400	d <sub>3</sub> + 70	20,00		on request
1000 / 450	d <sub>3</sub> + 70	22,00		on request
1000 / 500	d <sub>3</sub> + 70	24,00		on request
1000 / 560	d <sub>3</sub> + 70	26,00		on request
1000 / 630	d <sub>3</sub> + 70	29,00		on request
1000 / 710	d <sub>3</sub> + 70	32,00		on request
1000 / 800	d <sub>3</sub> + 70	37,00		on request
1000 / 900	d <sub>3</sub> + 70	44,00		on request
1000 / 1000	d <sub>3</sub> + 70	53,00		on request



Packaging method on page 38