



Y-piece without gasket YB



Automatic linear
welding

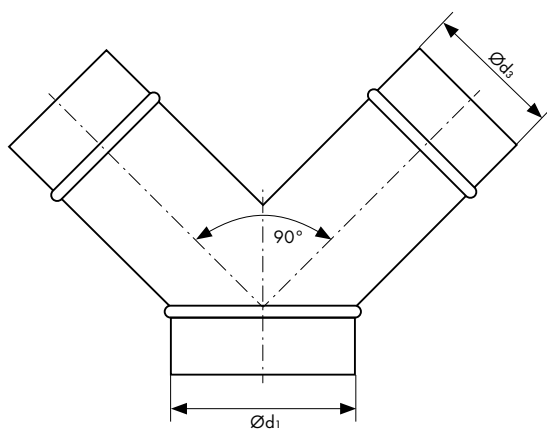


Top quality
galvanised steel
275 g/m²

Description

Y-piece without gasket - YB, made from top quality galvanised steel (275 g/m²).

Technical drawing



Dimensions [mm]

Ød ₁ nom/ Ød ₂ nom	pcs/box	box type
100 / 100	80	P2
125 / 100	54	P2
125 / 125	42	P2
160 / 100	78	P1
160 / 125	25	P2
160 / 160	50	P1
200 / 125	40	P1
200 / 160	45	P1
200 / 200	25	P1
250 / 200	18	P1
250 / 250	19	P1
315 / 200	14	P1
315 / 250	10	P1
315 / 315	8	P1
400 / 200	-	-
400 / 400	4	P1



Packaging method on page 38