
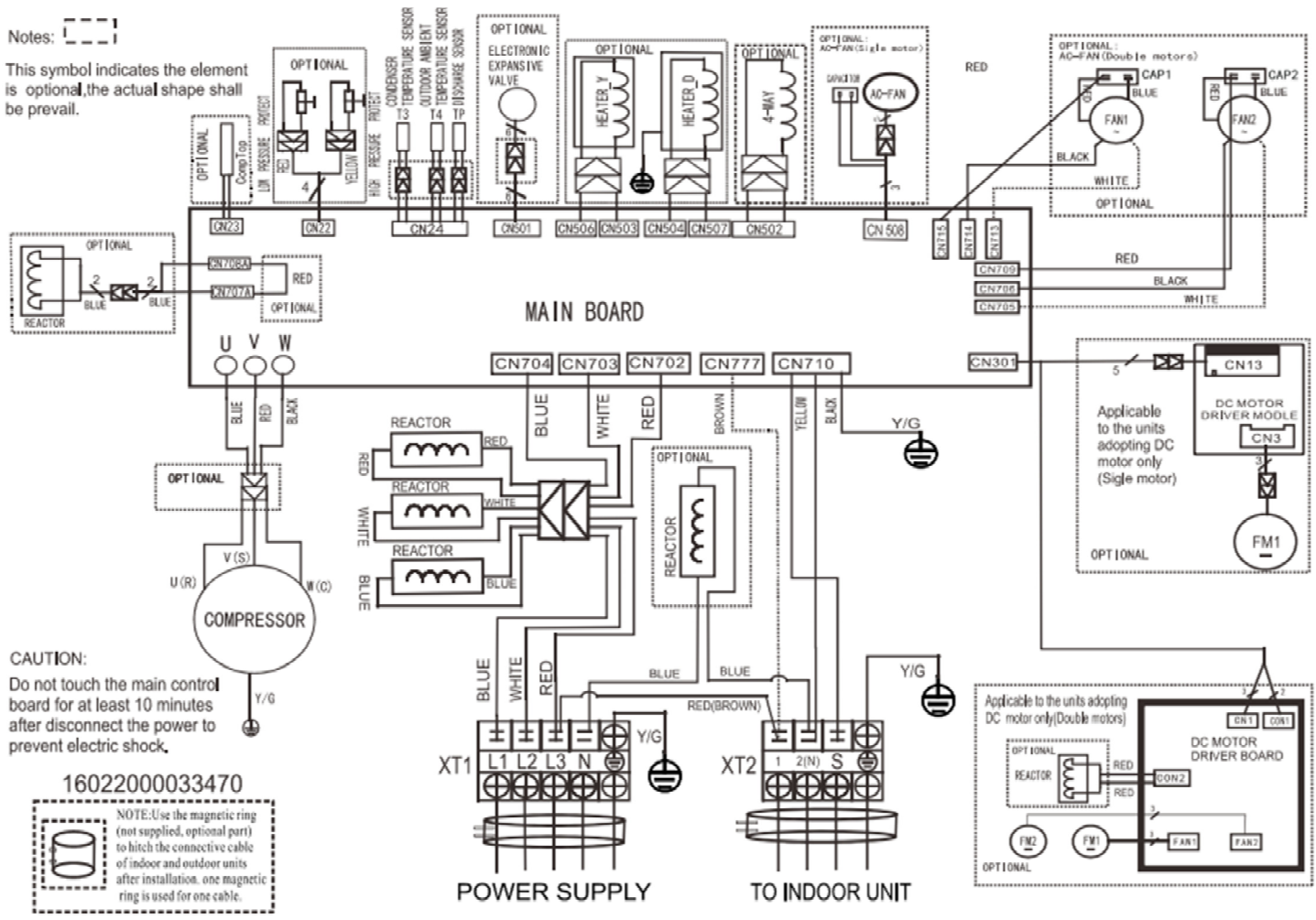



Notes: 

This symbol indicates the element is optional, the actual shape shall be prevail.



Model:		1
AOU-105HRDC3A		
Wiring diagram		