

1602300008817
WIRING DIAGRAM
(INDOOR UNIT)

FOR ANTI-COLD WIND				
SW1	<input type="checkbox"/>	<input type="checkbox"/>	<input type="checkbox"/>	<input type="checkbox"/>
TELO	24°C	15°C	8°C	EEPROM
FACTORY SETTING	<input checked="" type="checkbox"/>	<input type="checkbox"/>	<input type="checkbox"/>	<input type="checkbox"/>

FOR SETTING FAN MOTOR CONTROL WHEN THERE IS NO DEMAND		
SW2	<input type="checkbox"/>	<input type="checkbox"/>
MODE	FAN OFF	FAN ON
FACTORY SETTING	<input checked="" type="checkbox"/>	<input type="checkbox"/>

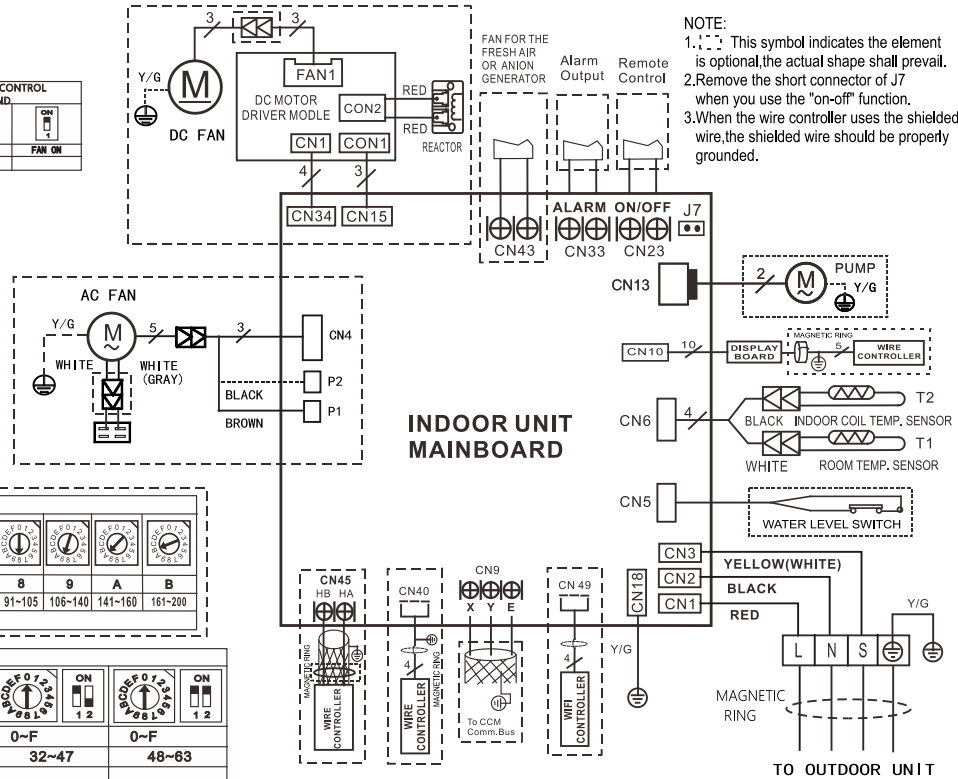
FOR SETTING AUTO-RESTART		
SW3	<input type="checkbox"/>	<input type="checkbox"/>
MODE	AUTO-RESTART	NOT AUTO-RESTART
FACTORY SETTING	<input checked="" type="checkbox"/>	<input type="checkbox"/>

FOR MAIN-SLAVE SETTING				
SW5	<input type="checkbox"/>	<input type="checkbox"/>	<input type="checkbox"/>	<input type="checkbox"/>
MODE	NO SLAVE	MAIN	MAIN	SLAVE
FACTORY SETTING	<input checked="" type="checkbox"/>	<input type="checkbox"/>	<input type="checkbox"/>	<input type="checkbox"/>

FOR TEMP. COMPENSATION (HEATING)				
SW6	<input type="checkbox"/>	<input type="checkbox"/>	<input type="checkbox"/>	<input type="checkbox"/>
CODE	6°C	2°C	4°C	EEPROM
FACTORY SETTING	<input checked="" type="checkbox"/>	<input type="checkbox"/>	<input type="checkbox"/>	<input type="checkbox"/>

FOR SETTING POWER (DC MOTOR MODEL ONLY)									
ENC1	<input type="checkbox"/>	<input type="checkbox"/>	<input type="checkbox"/>	<input type="checkbox"/>	<input type="checkbox"/>	<input type="checkbox"/>	<input type="checkbox"/>	<input type="checkbox"/>	<input type="checkbox"/>
CODE	0	1	2	4	5	7	8	9	A B
POWER	20	26	32-35	36-53	54-71	72-90	91-105	106-140	141-160 161-200
FACTORY SETTING	ACCORDING TO RELATED MODEL								

FOR SETTING NETADDRESS				
S1+S2	<input type="checkbox"/>	<input type="checkbox"/>	<input type="checkbox"/>	<input type="checkbox"/>
CODE	0~F	0~F	0~F	0~F
NETADDRESS	0~15	16~31	32~47	48~63
FACTORY SETTING	<input checked="" type="checkbox"/>	<input type="checkbox"/>	<input type="checkbox"/>	<input type="checkbox"/>

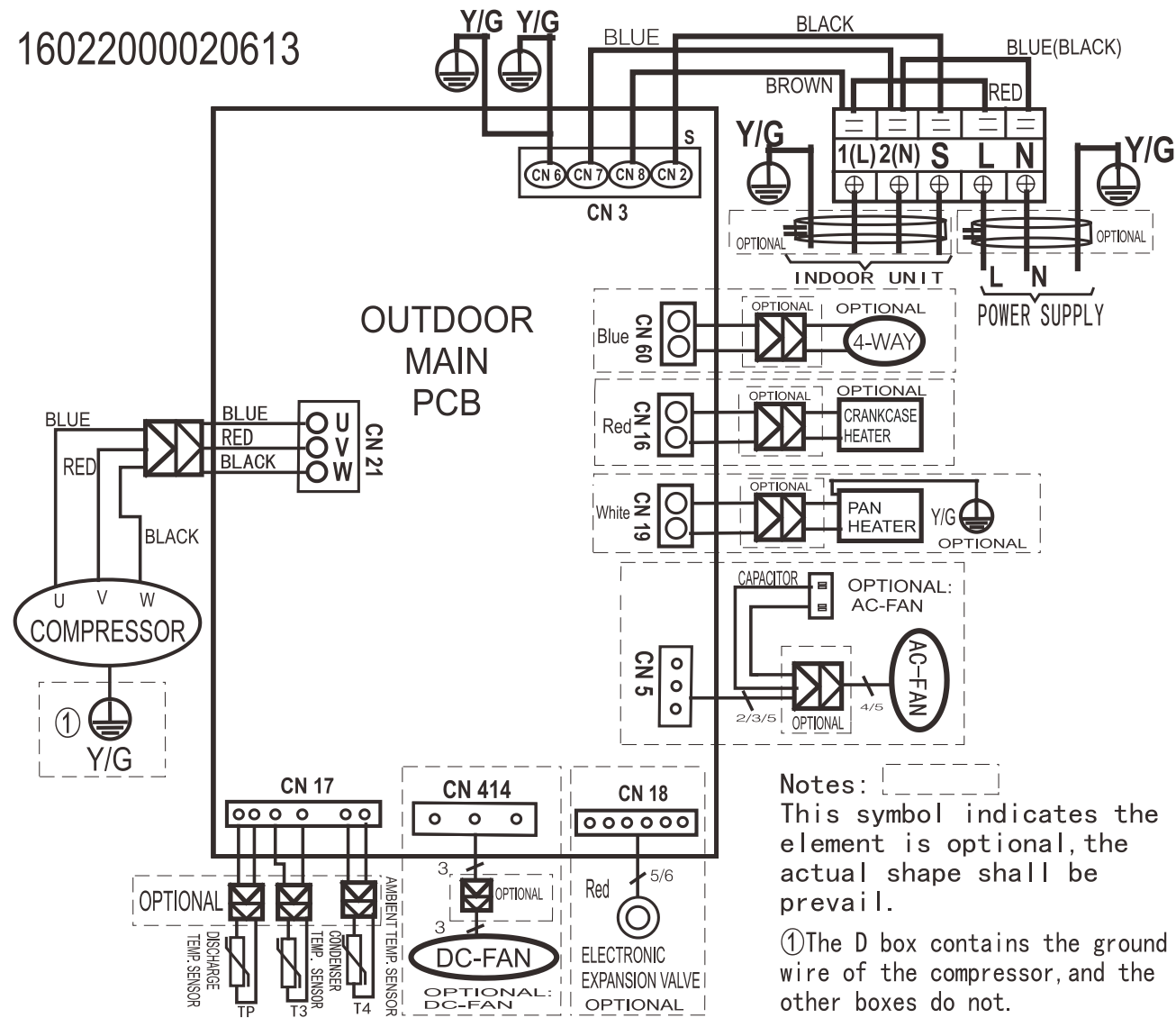


NOTE:
1. This symbol indicates the element is optional, the actual shape shall prevail.
2. Remove the short connector of J7 when you use the "on-off" function.
3. When the wire controller uses the shielded wire, the shielded wire should be properly grounded.

Model:	
	ATI-71HRDC1A
	Electrical Drawing



16022000020613



Notes:
 This symbol indicates the element is optional, the actual shape shall be prevail.

①The D box contains the ground wire of the compressor, and the other boxes do not.

Model:	
AOU-71HRDC1A	
Electrical Drawing	