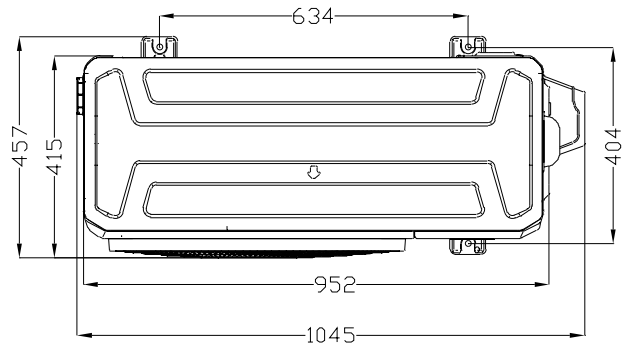
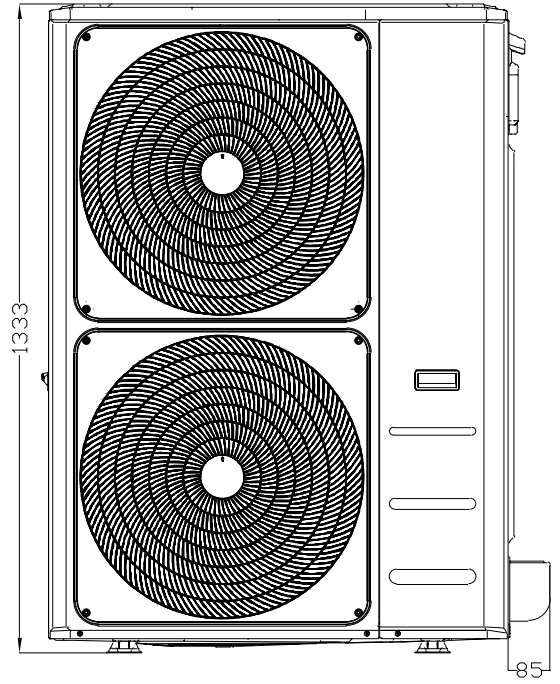
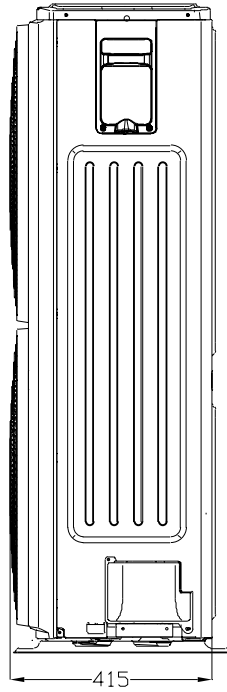
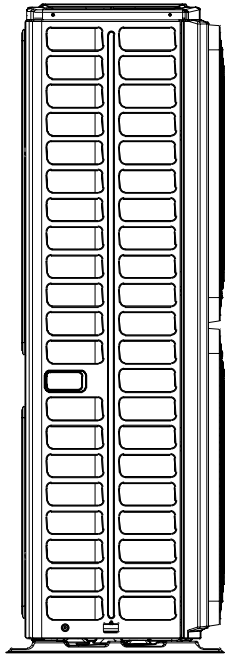


Model	unit	A	B	C	D	E	F	G	H	I	J	K	L	M	H1	H2	W1	W2
ATI-140_180	mm	1200	300	874	800	123	1044	50	227	1101	280	5	1240	697	80	150	185	210
	inch	47.24	11.81	34.41	31.5	4.84	41.1	1.97	8.94	43.35	11.02	0.2	48.82	27.44	3.15	5.91	7.28	8.27

Model:	
ATI-140_180HRDC3A	
Outline Dimensions Drawing	





Model:

AOU-140_180HRDC3A

Outline Dimensions Drawing

