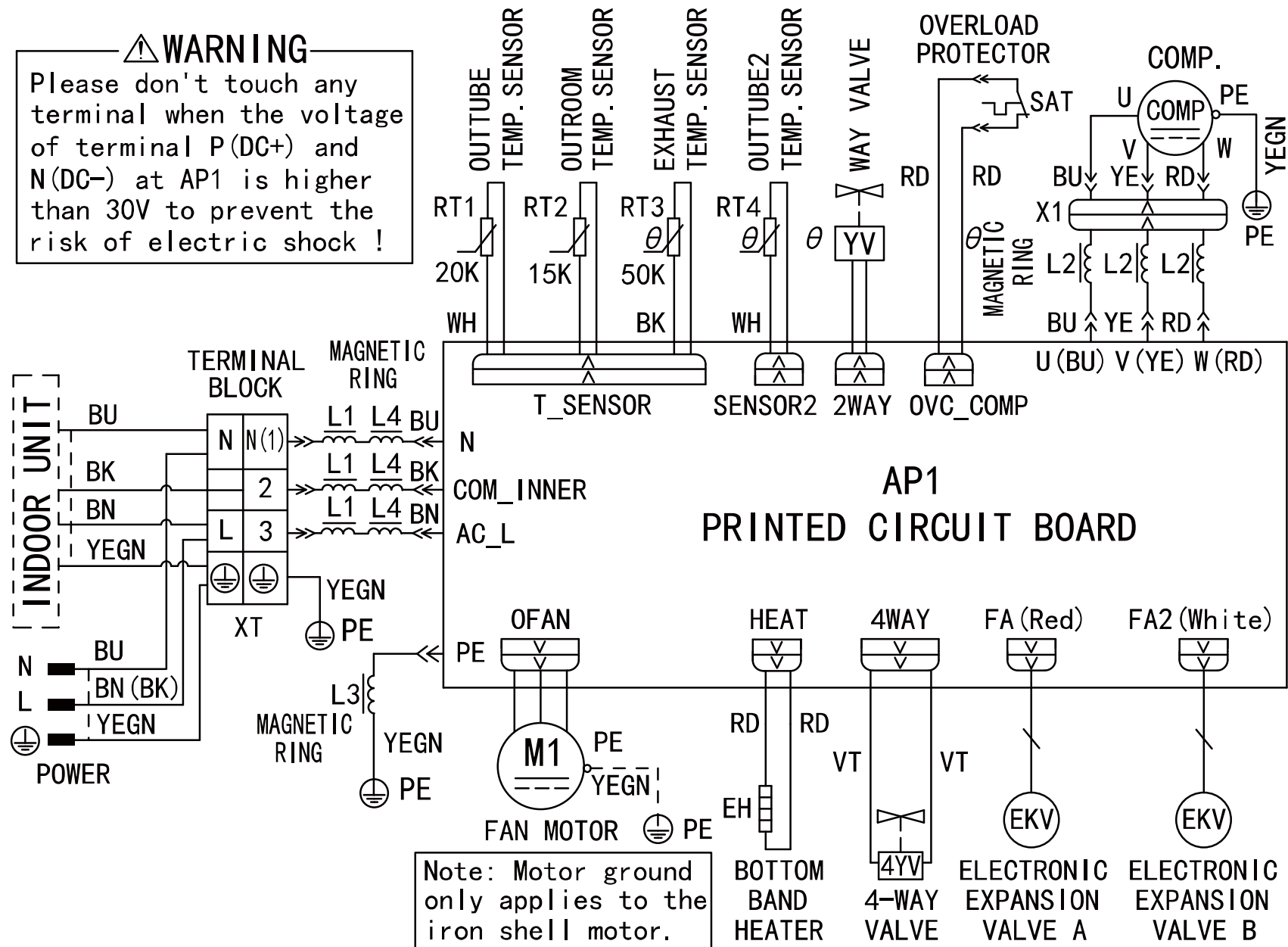


⚠ WARNING
 Please don't touch any electronic component or terminal when the machine is running, stopping or has been powered off for less than 3 minutes to prevent electric shock !

Model:	
AWI-40HRDC1A	
Wiring Diagram	2017-12-22
	1

⚠ WARNING
 Please don't touch any terminal when the voltage of terminal P(DC+) and N(DC-) at AP1 is higher than 30V to prevent the risk of electric shock !



Note: Motor ground only applies to the iron shell motor.

Model:	
AWO-40HRDC1A	
Wiring Diagram	2017-12-22
	2