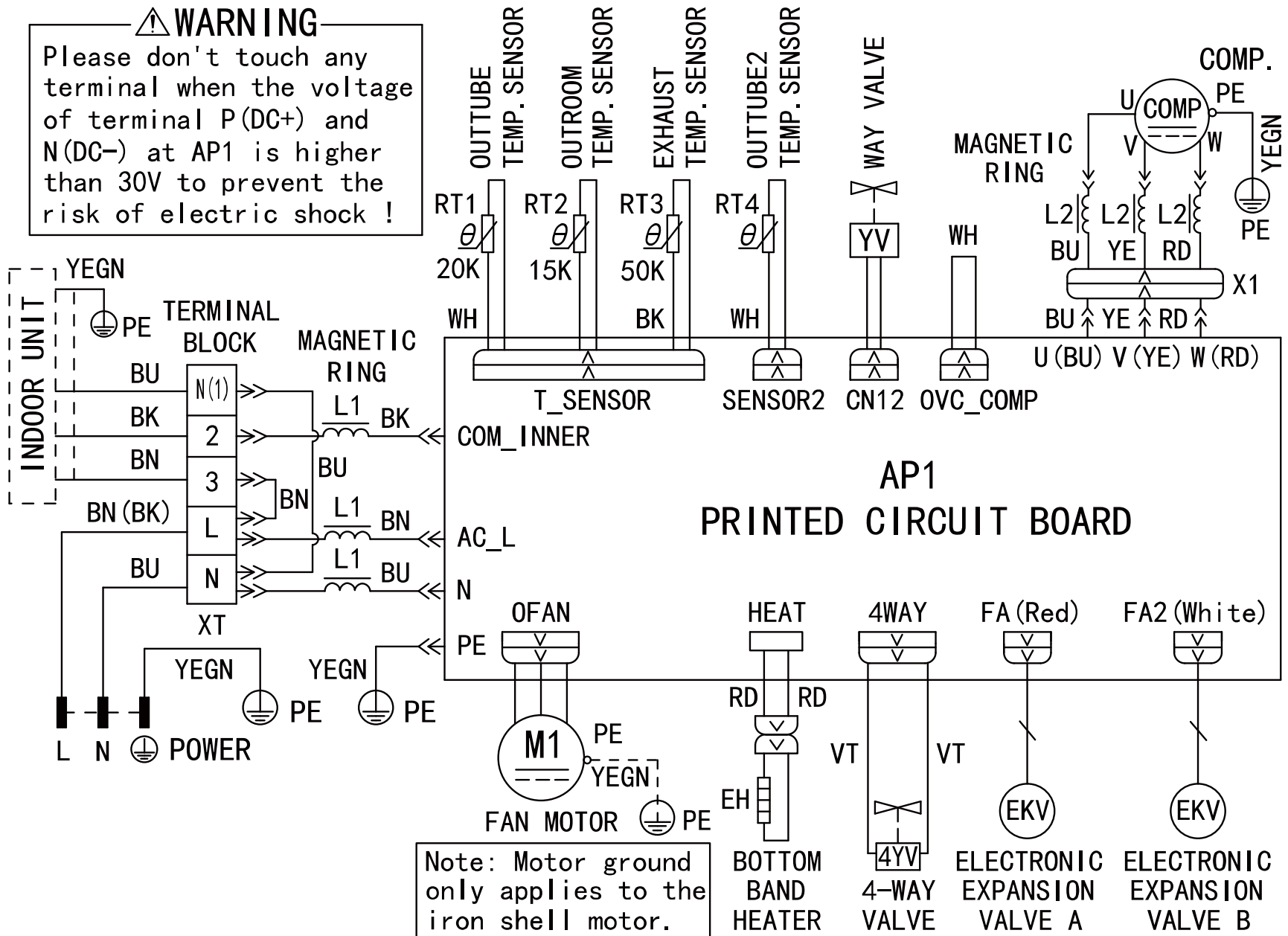


Model:	
AWI-80HRDC1A	
Wiring Diagram	2017-12-22
	1

⚠ WARNING

Please don't touch any terminal when the voltage of terminal P(DC+) and N(DC-) at AP1 is higher than 30V to prevent the risk of electric shock !



Note: Motor ground only applies to the iron shell motor.

Model:	ALPICAIR
AWO-80HRDC1A	
Wiring Diagram	2017-12-22
	2