
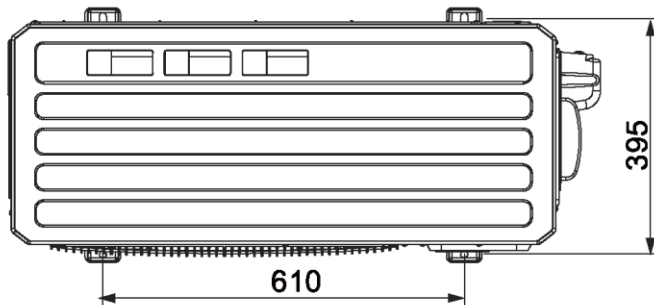
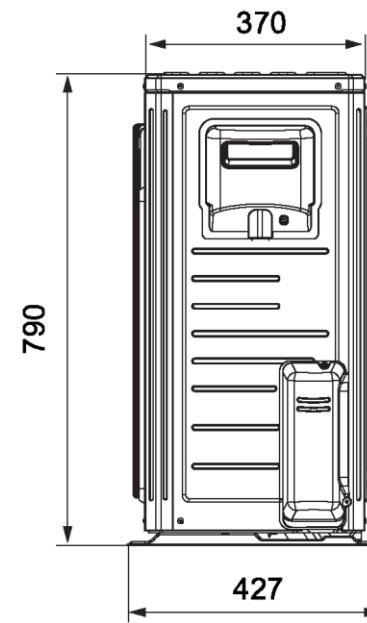
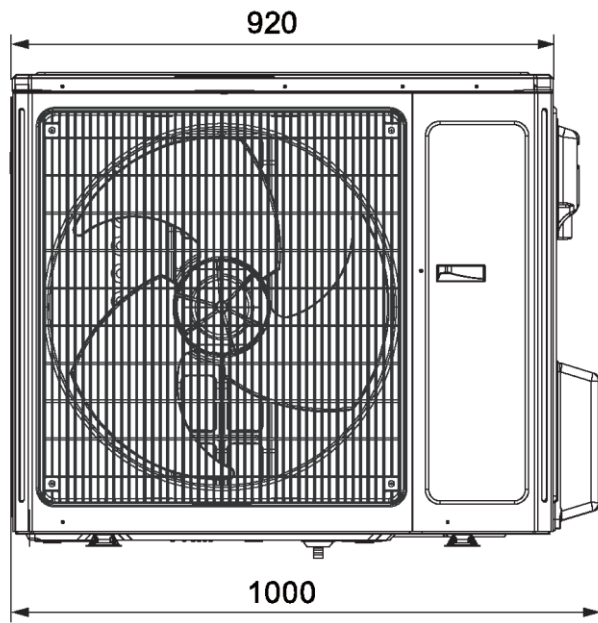



Unit:mm

Model:			
	Outline Dimensions Drawing	2017-12-21	1



Unit:mm

Model:			2
	Outline Dimensions Drawing	2017-12-21	