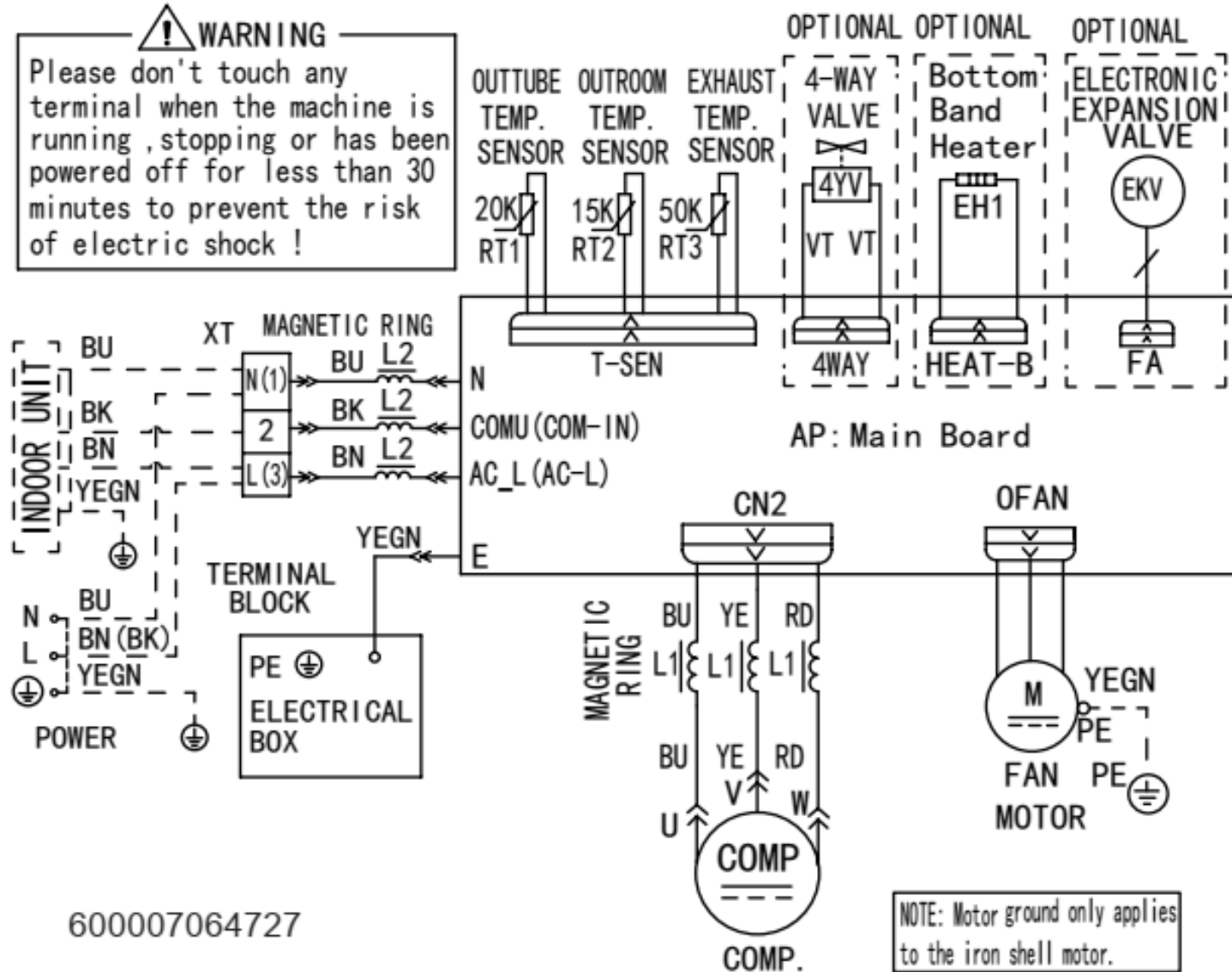


Model:
AWI-36HRDC1TB
Wiring Diagram



! WARNING
 Please don't touch any terminal when the machine is running, stopping or has been powered off for less than 30 minutes to prevent the risk of electric shock!



600007064727

NOTE: Motor ground only applies to the iron shell motor.

Model:	AWO-36HRDC1C	
Wiring Diagram		
		2